

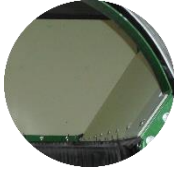
Ripped belt for feeder or fine fraction



Hydraulic stone grid with slide, mounted on the silo



Abrasion plates for the silo



Permanent drum magnet with slide



Extended conveyor belt for middle fraction



Rip blades



Additional internal wire screens optional 40 to 80 mm



*Illustration contains special options*

Extended conveyor for coarse fraction



Additional external wire screens optional 2 to 80 mm



Bisection of the inner trommel approx. 75 x 75 mm



Hydraulic support leg



Special lacquering



Remote control



## Additional options



different trommels:  
- conic  
- single  
- punched  
- and more



Gusset shoe (in-company, do not use on public roads)



Reversible cooler for hydraulic oil cooler incl. reverse control and reversible cooler for Diesel engine



TopSpin PreCleaner



Flood lamps



Additional connector for powering an additional conveyor



Remote control MAXI



Roof for double trommel and cleaning brush

## ZEMMLER MULTI SCREEN® MS 6700 • Technical description 1

### Base frame:

longitudinal beam: double T-profile steel,  
height approx. 300 mm  
chassis: 2 x 9 t air suspension tandem axle  
product: BPW  
tires: 6 x 385 / 55 R 19,5  
brake: two circuit compressed air breaks  
with ABS

Remodeling on 25km/h- axle possible

### Feeder:

cubage: 5.5 m<sup>3</sup>  
loading height: 3,129 mm  
loading length: 3,642 mm

### Feeding belt:

belt width: 1,000 mm  
belt length: 3,600 mm

### Double trommel:

surface:  
inner: 31.5 m<sup>2</sup>  
outer: 22.1 m<sup>2</sup>  
drum diameter: 1,500 mm (inner)  
drum diameter: 2,000 mm (outer)  
drum length: 6,700 mm  
Trommeldrive: direct over chain and chain wheel

### Mesh sizes:

inner: 80 x 170 mm (standard)  
outer: exchangeable wire screens,  
20 x 20 mm

### Cleaning brush:

diameter: 500 mm, with own drive

### Conveyor belt fine fraction:

belt width: 650 mm  
belt length: 7,000 mm  
mechanic fold-away  
drop off side: left  
drop off height: 3,297 mm

### Haul-off belt beneath double drum, Fine fraction

belt width: 1,100 mm  
belt length: 6,000 mm

### Extended Conveyor belt middle fraction:

belt width: 650 mm  
belt length: 7,000 mm  
mechanic fold-away  
drop off side: right  
drop off height: 3,342 mm

### Extended Conveyor belt coarse fraction:

belt width: 800 mm  
belt length: 4,500 mm  
hydraulisch klappbar  
drop off side: rear  
drop off height: 2,930 mm

### Screen material:

sand, saw dust, wood chips, compost, soil, coal and cinder,  
construction waste and recycling materials, stones and  
gravel sand with grain size 2 - 80 mm

### 3 fractions:

fine fraction: 2 - 80 mm, on demand  
(standard screen size: 20 x 20 mm)  
middle fraction: 2 - 80 mm up to 170 mm  
coarse fraction: ex 170 mm (standard)

### Remodeling to 2 product trommel possible:

Shortened inner trommel, omission of belt of coarse product  
Shortened inner trommel, omission of middle product,  
widened & extended conveyor of coarse product  
4.500x1.000mm  
Single trommel, omission of middle product, widened &  
extended conveyor of coarse product 4.500x1.000mm)



construction  
waste



green waste



wood chips



sand & gravel



recycling



stones



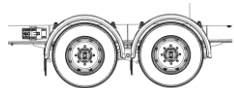
compost

All details are subject to technical modifications and future developments.

Further distribution and any kind of publication is permitted only with written approval of the Zemmler Siebanlagen GmbH.

## ZEMMLER MULTI SCREEN® MS 6700 • Technical description 2

### Chassis options:



On wheels (standard)



Track drive  
(requires remote control Maxi)



On skids

**Weight:** approx. 18,000 kg  
(standard equipped machine)

**Hitch:**  
standard: drawbar eye Ø 50 mm,  
according to ISO 1102  
*Additional drawbar eye (special sizes) possible*

### Dimensions, ext. conveyor belt:

#### **Transportation:**

length: 13,121 mm  
height: 4,000 mm  
width: 2,550 mm

### Drive concept:

#### **Diesel-hydraulic**

Diesel engine: CATERPILLAR C3.6 74,5 kW 2.400 U/m.  
Emission std.: EU stage V / EPA / CARB Tier 4 Final  
Drive: Oilpumps & oilmotors  
Tank capacity: 200 l / 20 l AdBlue

#### **Service:**

length: 16,161 mm  
width: 10,973 mm  
height: 3,129 mm

#### **Diesel-elektric**

Emission std.: EC-NRMM Stage III A  
Drive: Current synchron generator  
& electric motors  
Tank capacity: 200 l

**Capacity:** 50 – 180 m<sup>3</sup>/hour,  
depending on condition of material,  
mesh size and feeding

external power supply possible (depending on country  
specific current / in combination with Diesel-Electric or  
Electric-Drive)

#### **Colour / Coats:**

2K polyurethane one-coat topcoat  
silo, engine cover and side covers: RAL 6001 green  
chassis, screening drum: RAL 7022 umbra grey  
conveyor belt frame: hot galvanized

### Possible top speed:

80 km/h (depending on the total length of the truck, a  
special authorization for public traffic is needed)



construction  
waste



green waste



wood chips



sand & gravel



recycling



stones

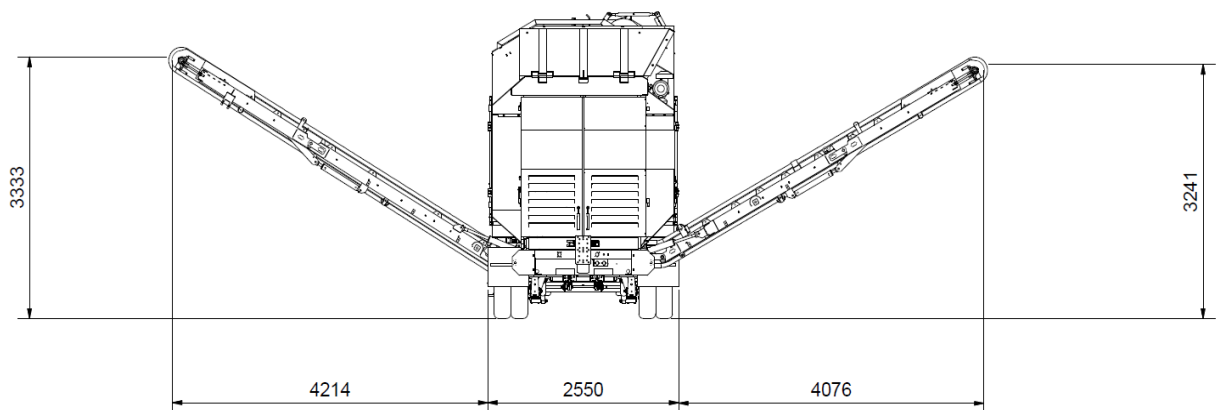
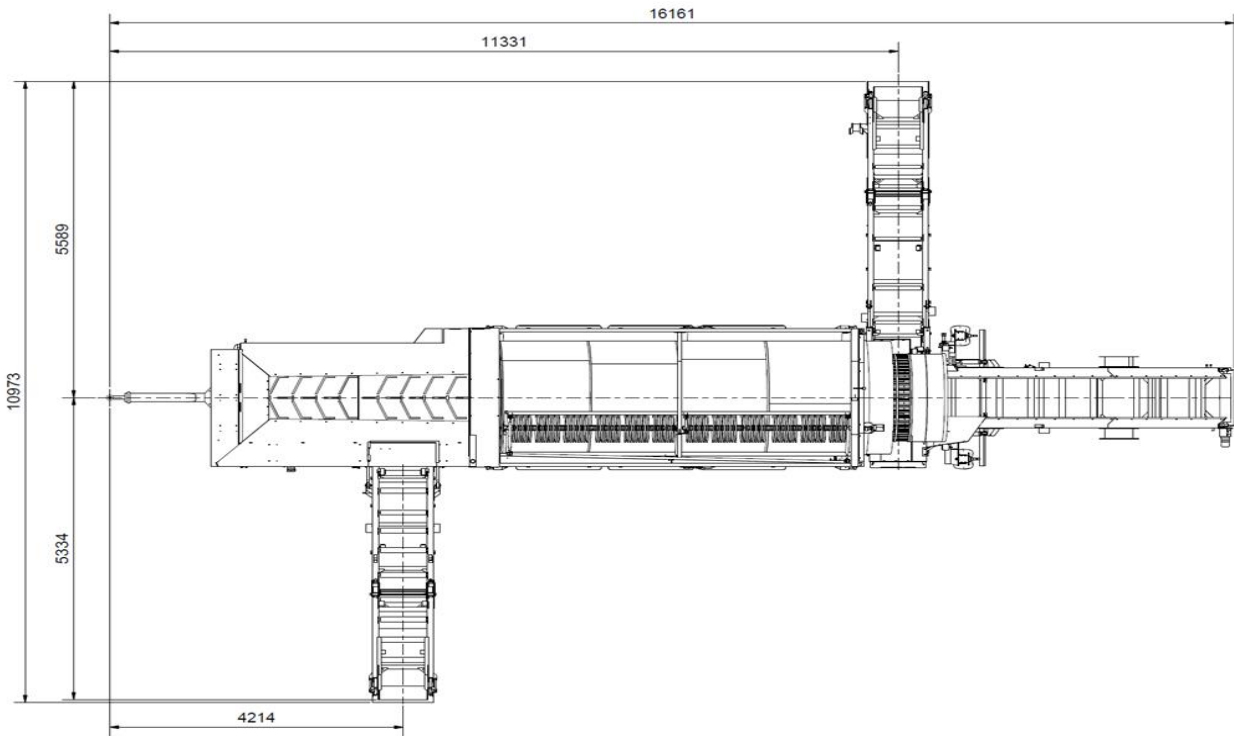
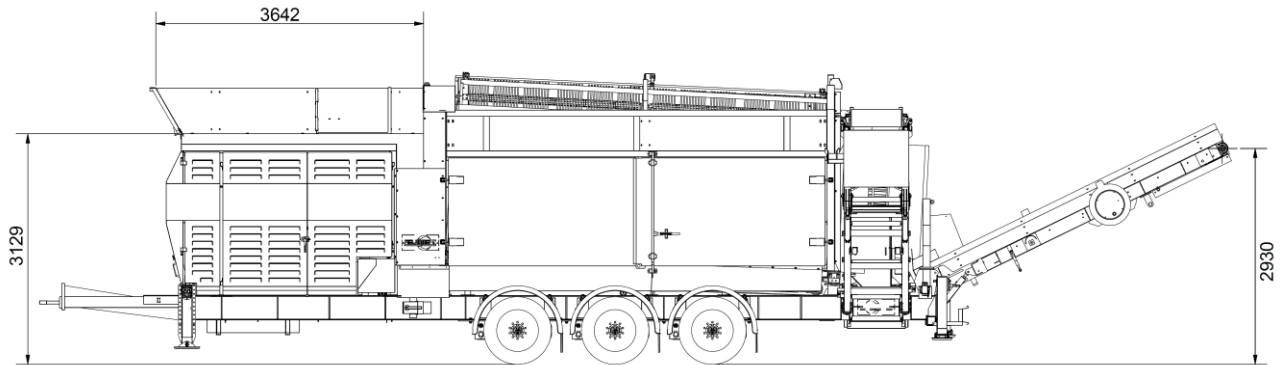


compost

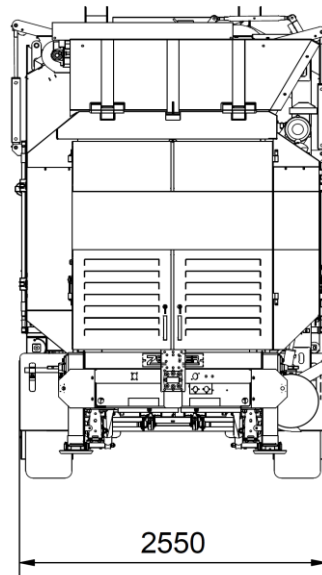
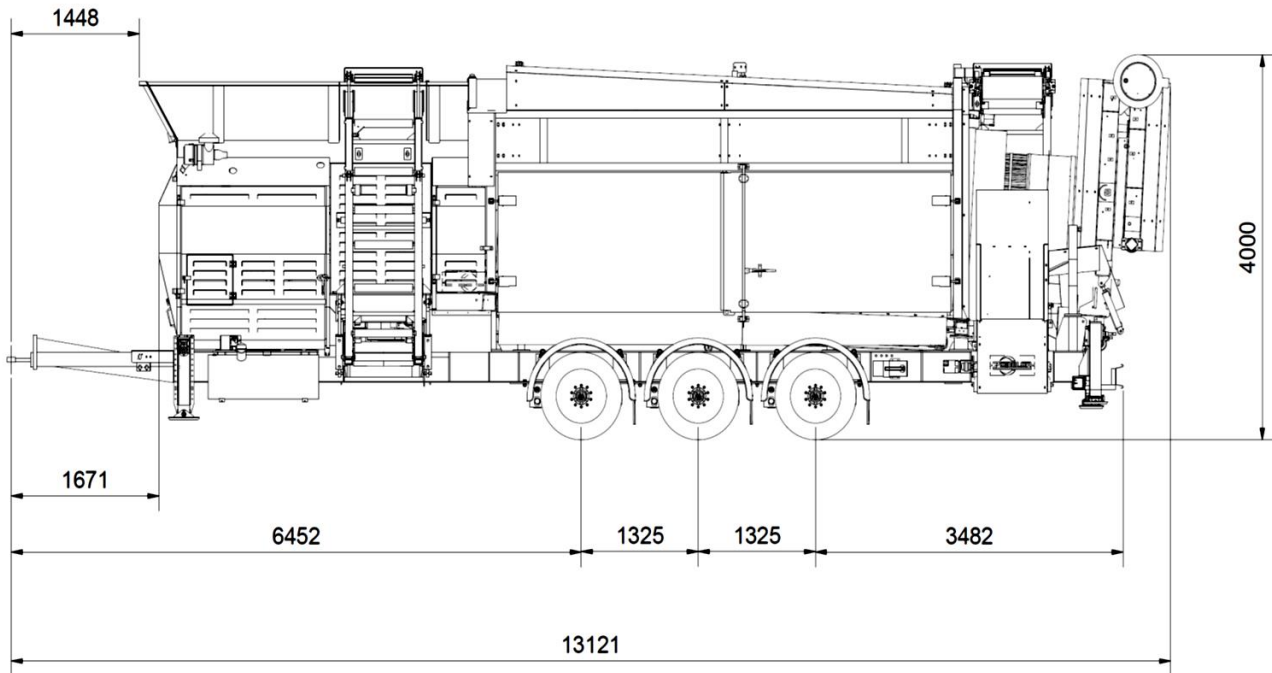
All details are subject to technical modifications and future developments.

Further distribution and any kind of publication is permitted only with written approval of the Zemmler Siebanlagen GmbH.

## ZEMMLER MULTI SCREEN® MS 6700 • Extended Conveyor belt





**ZEMMLER MULTI SCREEN® MS 6700 • Extended Conveyor belt**

## ZEMMLER MULTI SCREEN® MS 6700 • Track drive, Extended Conveyor belt

